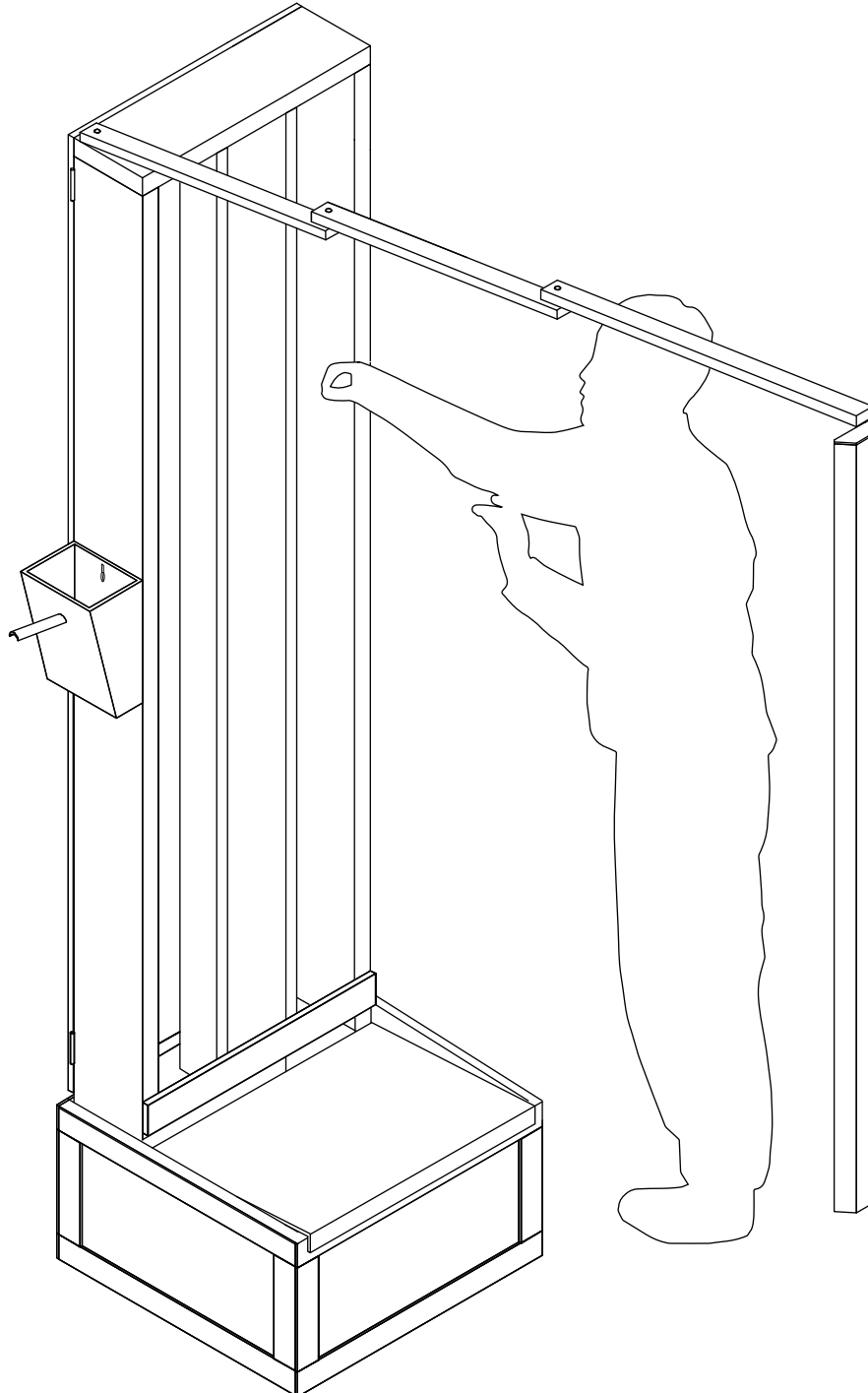


# WOODY GROWER®

YOUR STAND-ALONE VERTICAL GARDEN

DESIGNED BY OFICINA 4PLAY



WOODY IS A WOODEN MOBILE ECO-DISPLAY.  
IT CAN HOLD 2 ZipGrow® TOWERS.  
DESIGNED IN MADRID BY **oficina 4play**. ([www.oficina4play.com](http://www.oficina4play.com))

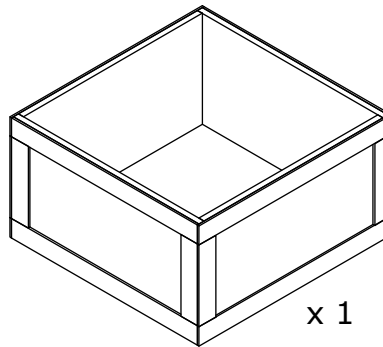
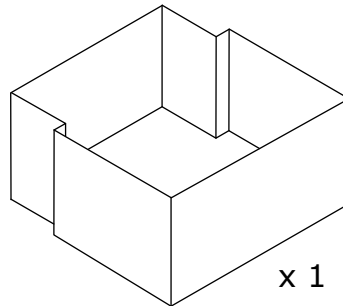
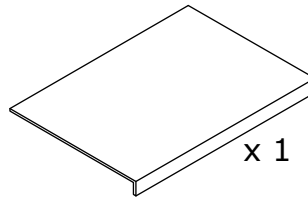
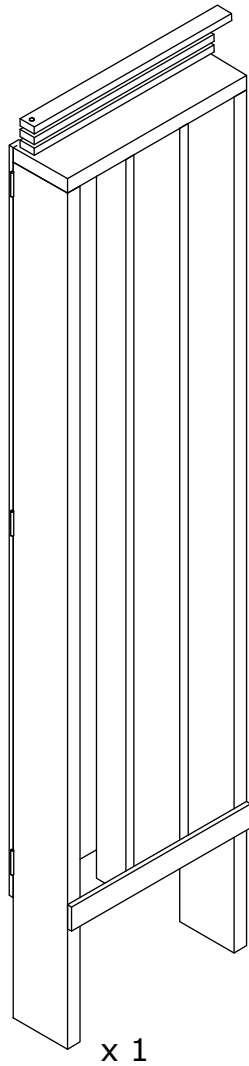
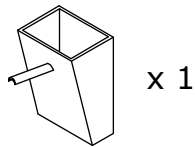
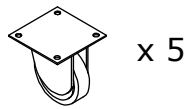
WOODY GROWER® patented by OFICINA 4PLAY ARQUITECTURA, Madrid. ([www.oficina4play.com](http://www.oficina4play.com))

# PIECES

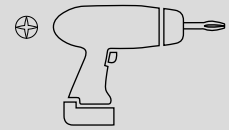
A x 4 

B x 16 

C x 2 



## NECESSARY TOOLS



## OTHER NECESSARY OBJECTS



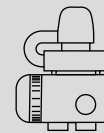
Impermeable Hydroponics Led Grow Lights.

FOR EXAMPLE:

Roleadro Led Grow Lights.

108W IP65

Impermeable Hydroponics Led Grow Lights  
115x3x3 cm



Centrifugal pump.

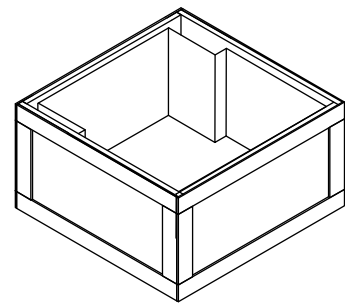
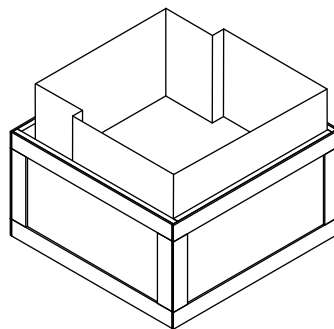
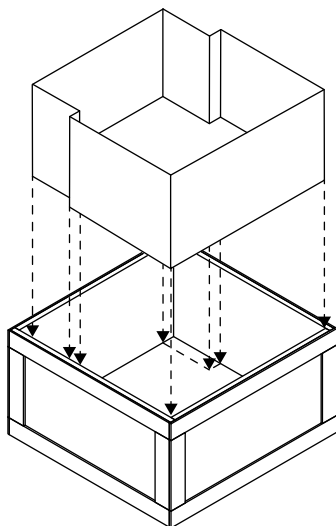
FOR EXAMPLE:

Idra 1300 l/h

306 US gph

Centrifugal pump.

# STEP ①

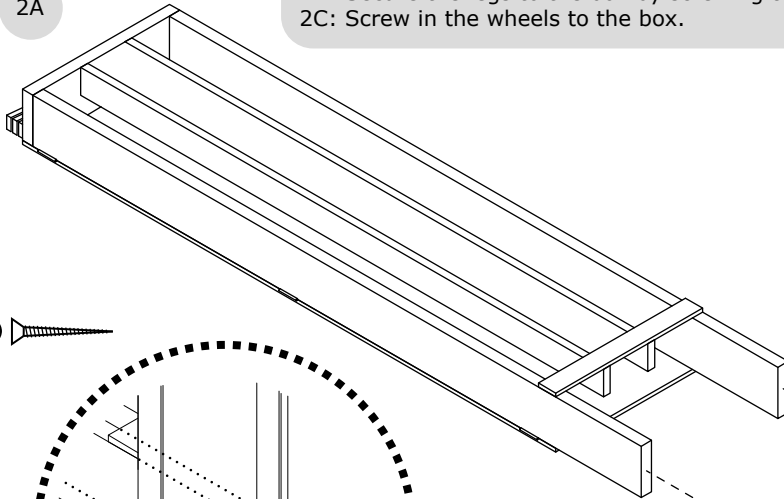


Place the water tank inside the box.

## STEP 2

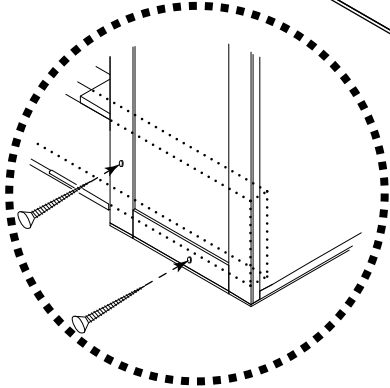
2A: Lay down the wooden grill on the floor and introduce its legs in the sides of the box.  
2B: Secure the legs to the box by screwing them in.  
2C: Screw in the wheels to the box.

2A

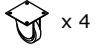


2B

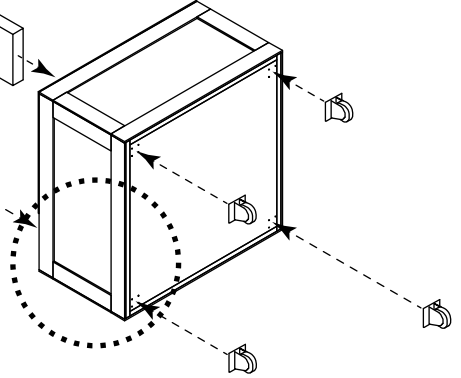
A x 6



2C

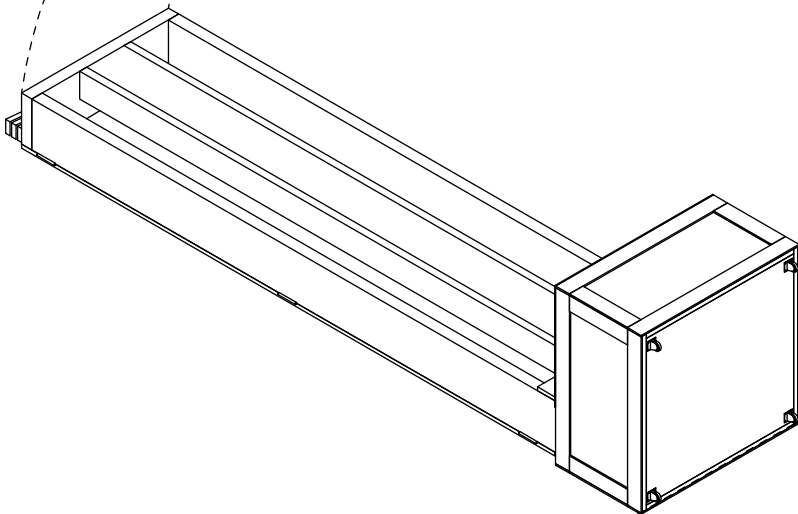


B x 16

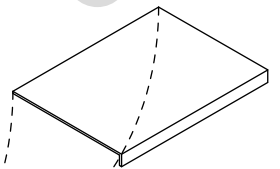


## STEP 3

3A

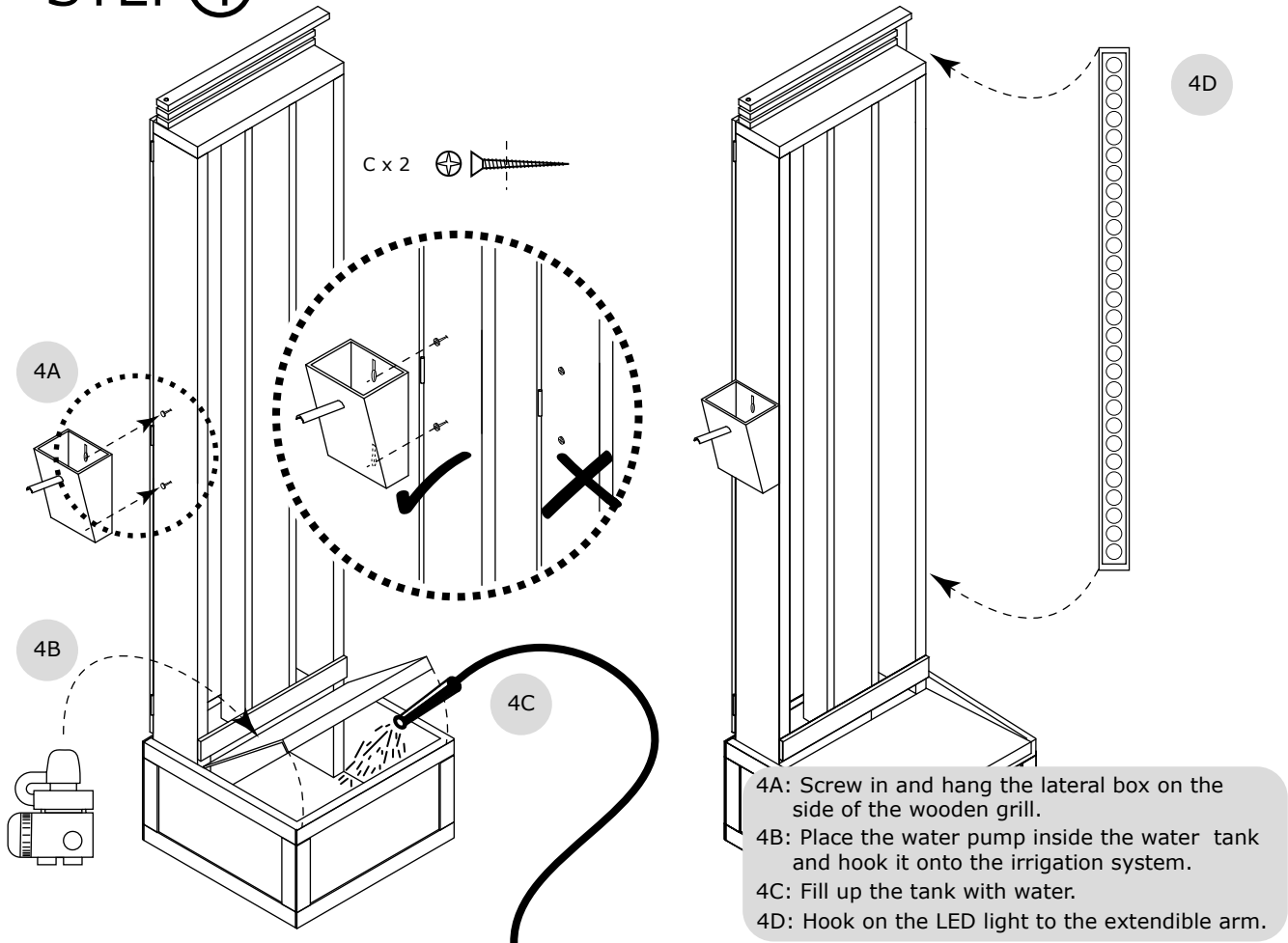


3B



3A: Lift the display to a vertical position.  
3B: Place the lid on the box.

## STEP 4



## STEP 5

